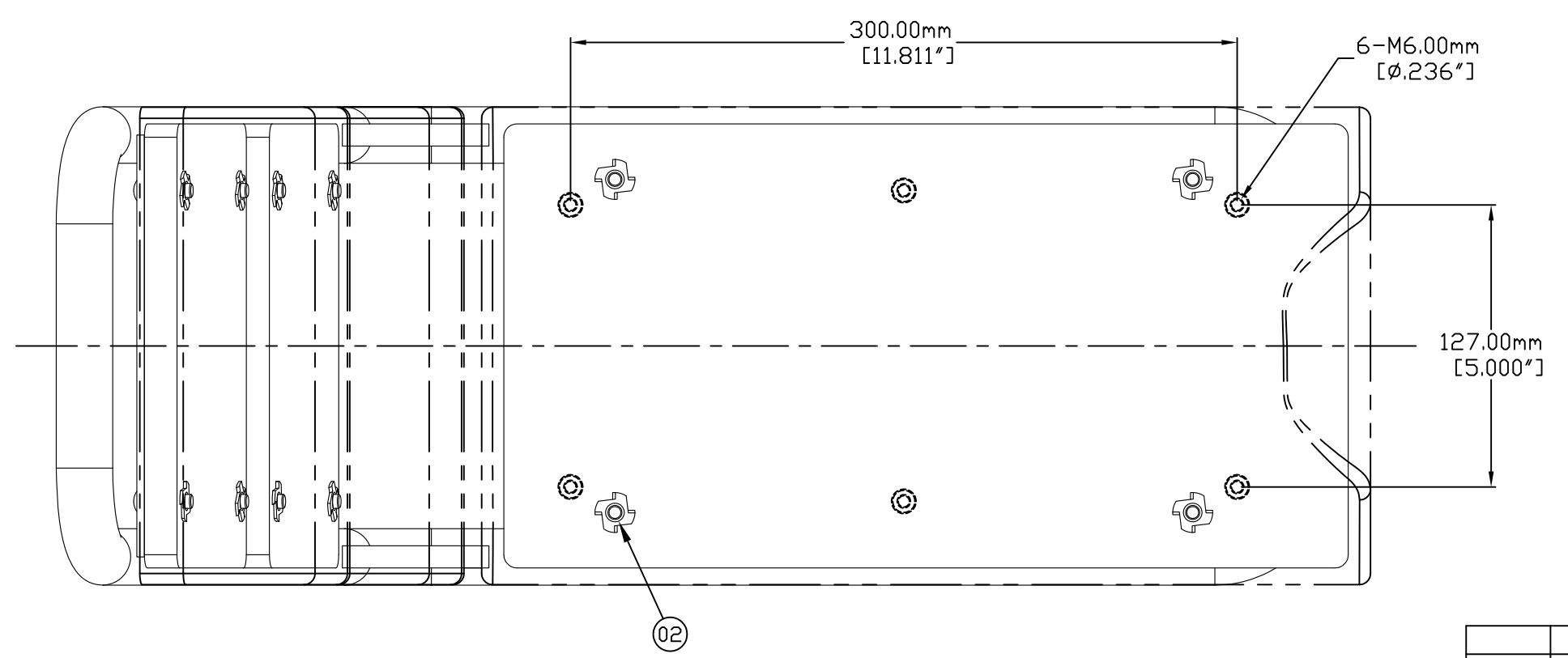
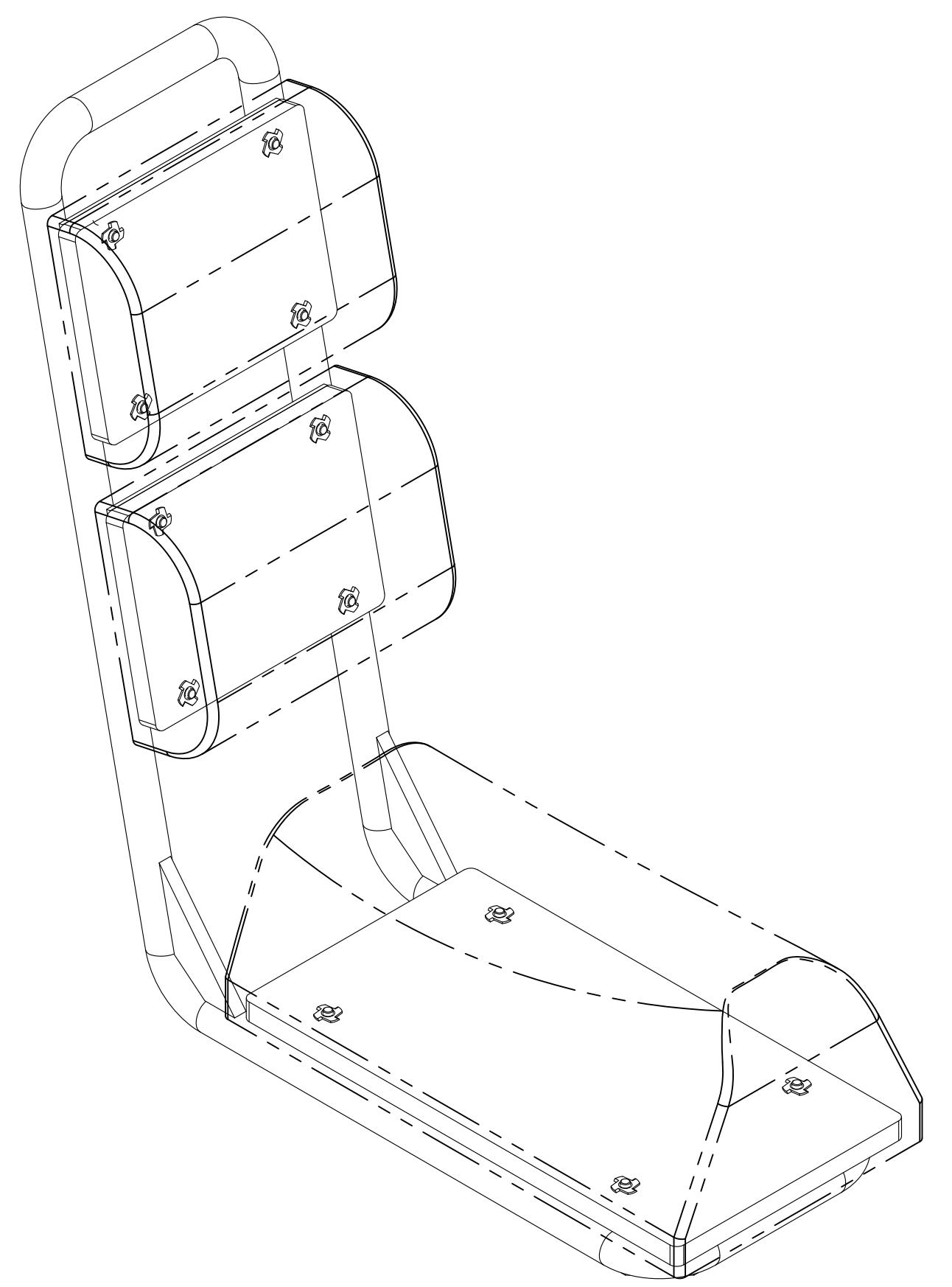
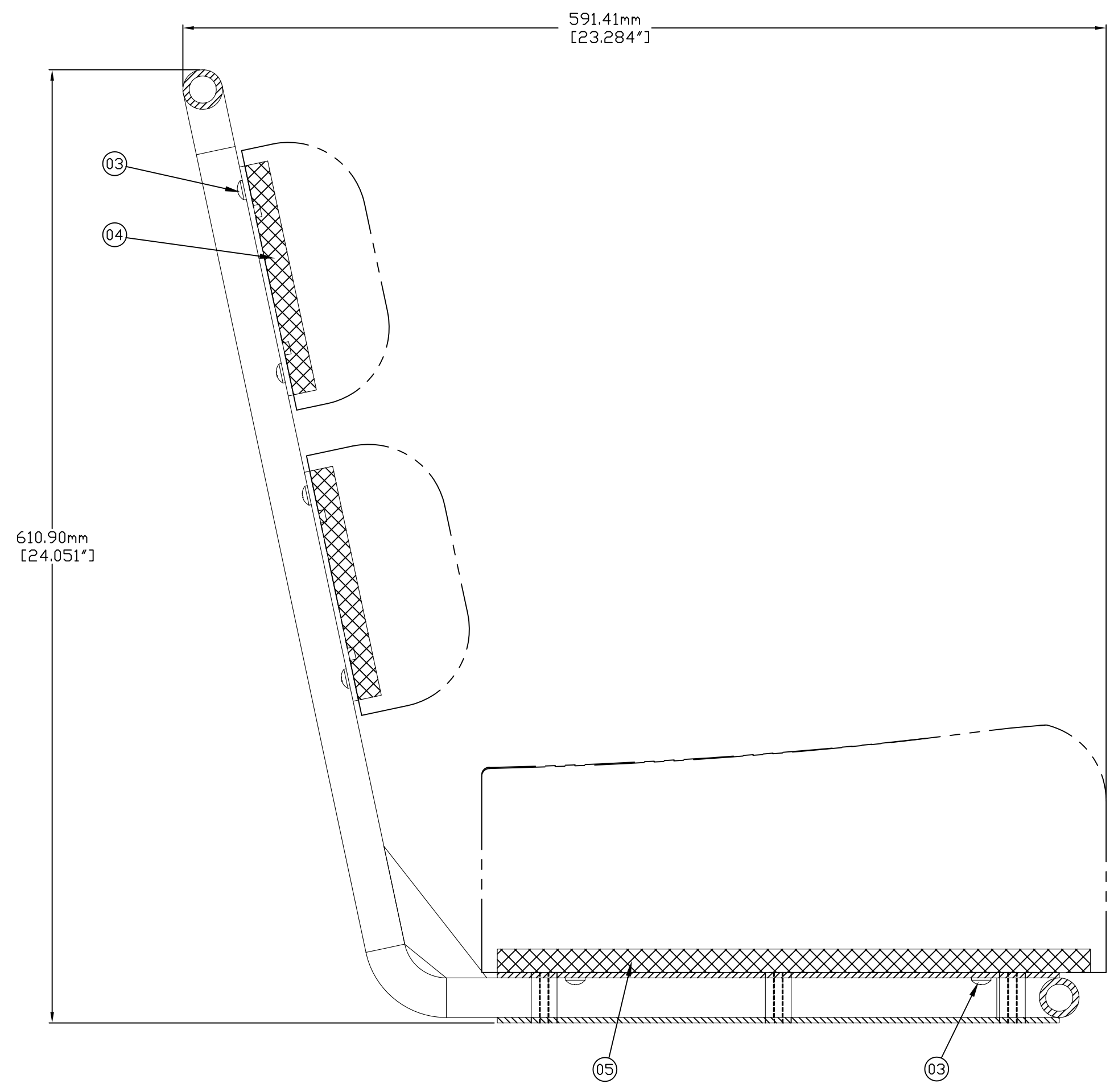
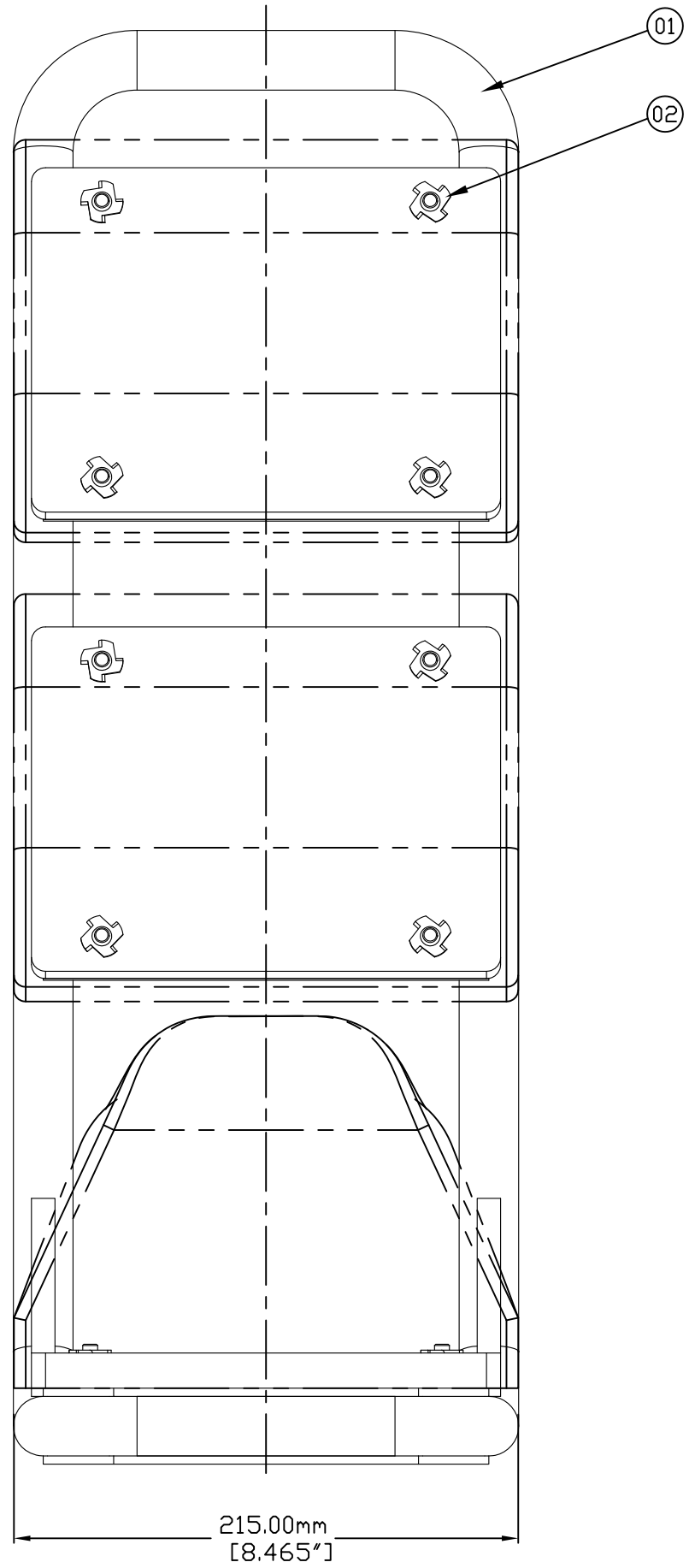


REV.	X-Y	ECN	REVISED	BEFORE	REV	APPV'D BY	DATE
11			12		13		14
							15
							16



05	1	BOTTOM PLASTIC SUBSTRATE PLATE,PP	A20324	
04	2	BACK PLASTIC SUBSTRATE PLATE,PP	A20323	
03	12	1/4" - 20X0.875" LONG CROSS RECESSED PAN HEAD SCREWS S-5304	NONE	
02	12	1/4" *T* NUTS	NONE	
01	1	SEAT SUBSTRATE FOR WELDING, 6063	A10395	
#	EA	DESCRIPTION	DWG #	MFG #

NAME:	JOCKEY SEAT		
DRAWN BY:	HERBERT	DATE:	04/24/19
REV. BY:		SCALE:	1:2
APPV'D BY:		WEIGHT:	
		LINEAR:	
		ANGULAR:	
DWG NO.:	A10397	RELEASE DATE:	
MFG NO.:			