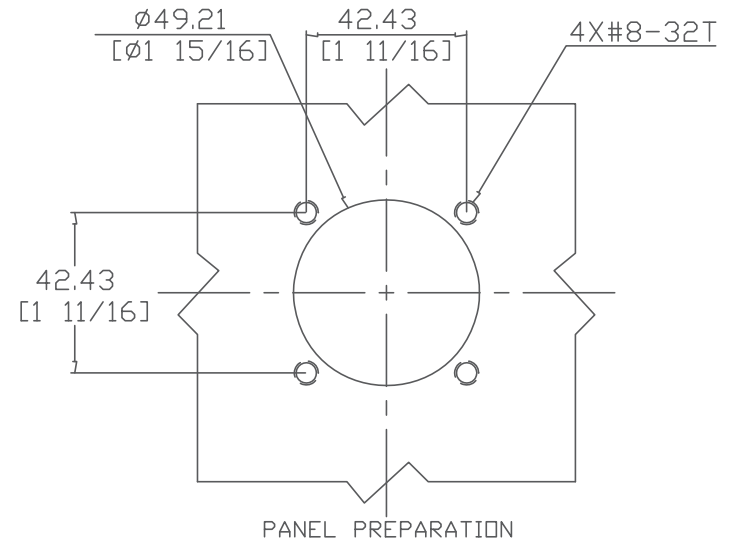


- A. Cap
- B. Nylon gear
- C. Cable
- D. M4 R/H screw
- E. SS split ring\*2
- F. Plastic spacer
- G. Body

**1**



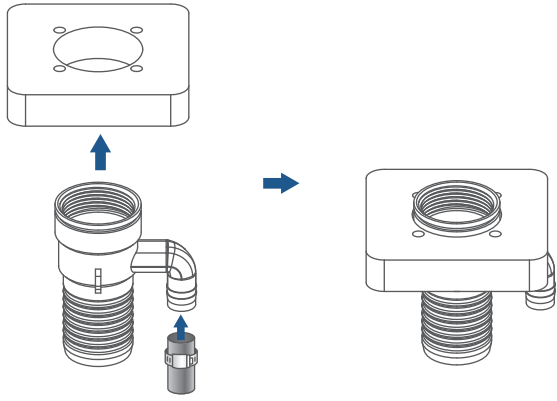
■ Drill the installation holes.

**2**

Assemble components by following steps:

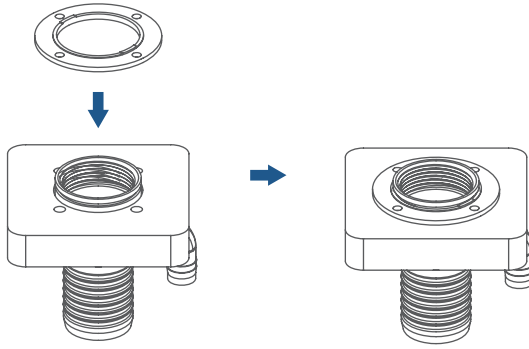
- Loosen cap (A) from the body (G).
- Unscrew the M4 R/H screw (D), letting cable (C) and nylon gear (B) loosened.
- Remove plastic spacer (F) from the body (G).

3



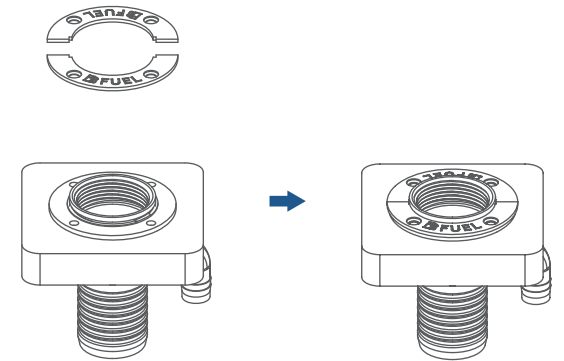
The hose can be attached to the deck fill before installation the fill. Place the body (G) to the cut-out.

4



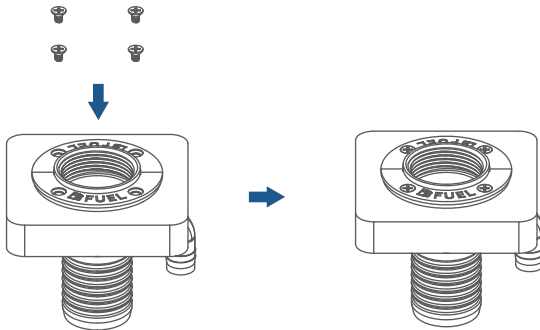
Put the plastic spacer (F) on the top of body (A).

5



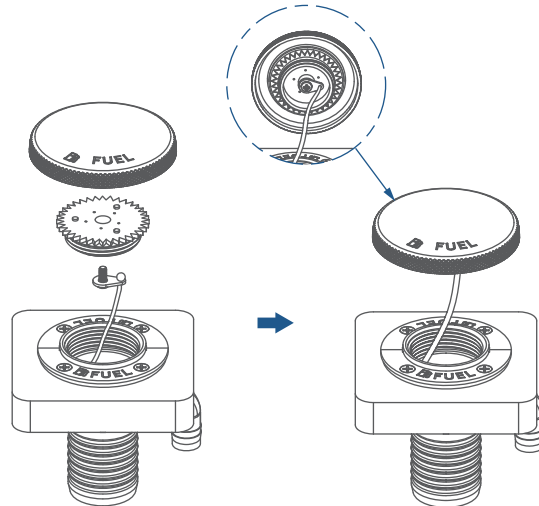
Put the SS split rings (E) on the plastic spacer (F).

6



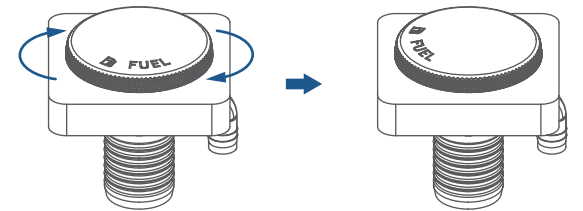
Screw in four M4 or #8 screws (not included).

7



Screw the nylon gear (B) and the cable (C) on the cap (A) by M4 R/H screw (D).

8



Complete the installation by tightening together the cap (A) and the body (G).