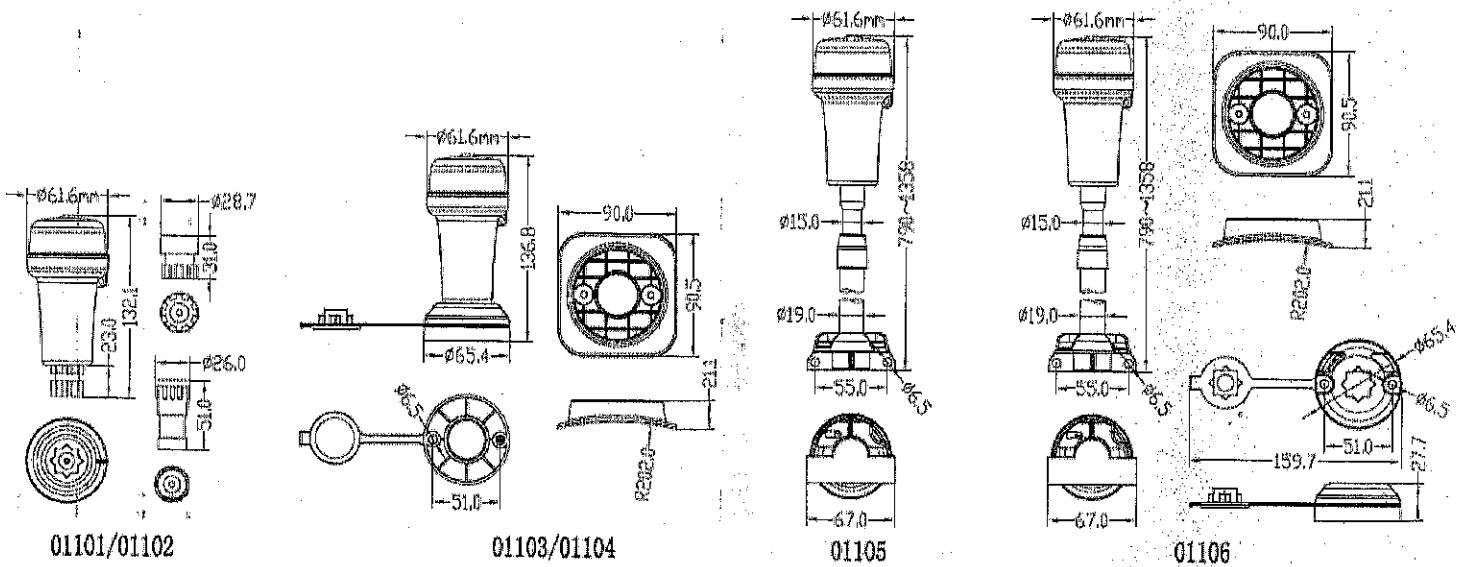


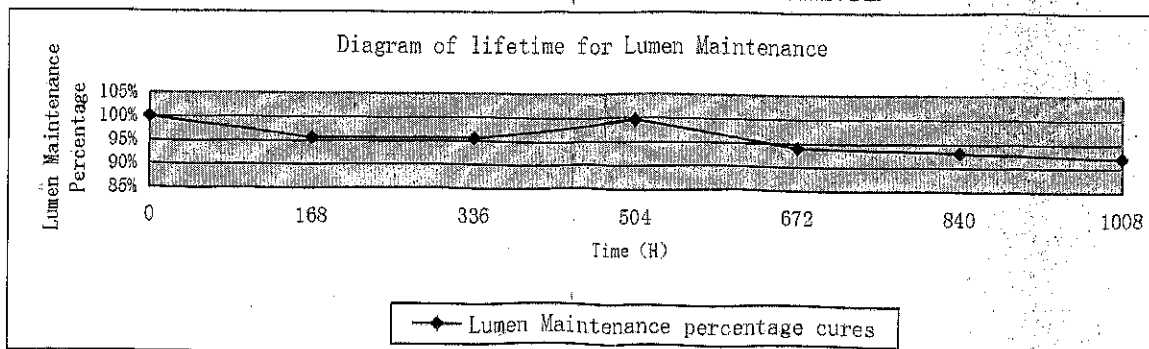
01101/01102/01103/01104/01105/01106

Material	Housing: Made of ABS
Housing Colour	Black
LED Colour	01101/01103: Green+Red 01102/01104/01105: Nature White 01106: Green+Red and Nature White
LED	01101/01103: 4PCS Green+4PCS Red 01102/01104/01105: 8PCS White 01106: 4PCS Green+4PCS Red and 8PCS White
LED Beam Angle	120°
Colour Temperature	<input type="checkbox"/> Warm White: K <input checked="" type="checkbox"/> Nature White: 4500 K
Features	1NM visibility/ Navigation Combination Light/For boats up to 12M Powered by three AAA batteries (not included) Up to 24 hours battery life
Working Voltage	DC4.5V
Wattage	Red/Green: 0.5W*4 White: 0.5W*8
Effective Lumen	Red: 5Lumen Green: 20Lumen White: 190Lumen
water-proofing and dust-proofing	IP: 67
life TEST FOR LED LAMP(1000 hours)	Lumen Maintenance Percentage >90%
Operation Temperature	-20° ~ +45°C
Certificate	<div style="display: flex; justify-content: space-around; align-items: center;"> <div style="border: 1px solid black; padding: 2px;">UL</div> <div style="border: 1px solid black; padding: 2px;">CE</div> <div style="border: 1px solid black; padding: 2px;">RoHS</div> <div style="border: 1px solid black; padding: 2px;">TUV</div> </div>

The light is for type "Z" attachments. The external flexible cable or cord of this luminaire cannot be replaced; if the cord is damaged, the luminaire shell will be destroyed.



LIFETIME FOR LUMEN MAINTENANCE



Testing Module: Lasting 1000 hrs, Temperature: Range 36-40°C, Humidity: 60%RH, Input Voltage: DC4.5V

PORTABLE NAVIGATION LIGHT

01101/01102/01103/01104/01105/01106

Features

- 1) This is a multifunction lamp:
 The 2-color navigation light has two colors (red + green) and three modes.
 It can be used as Green Starboard Light, Red Port Light or Combination Bow Light.
 The white navigation light can be used as All-Round Navigation Light or Signal Light. It has continuous bright and flash mode.
- 2) No wires required. Powered by three AAA batteries (not included). Telescopic tube for easy storage and installation height adjustment
- 3) Press and hold the blue button on cover for 2 seconds to turn on /off .
 Press it once to choose a Mode when the light is On.
- 4) Accessories are included for different installation methods and brands. (SCOTTY, RAM , NAVISAFE or RAILBLAZA)

