

Rule Shower Drain Box

800 & 1100 GPH SHOWER DRAIN SUMP

Our customers designed the new shower drain box.

We talked to boat builders, listened to customers at boat shows and took notes when they called us. When it came time to redesign the shower drain box with new, stronger Rule bilge pumps, we put our plan into action. Great thought went into the design to make it easier for our customers to install and service our new Rule Shower Drain Box.

Our new designs include:

Polycarbonate Snap Lid Cover - tough impact resistant material plus it's easier to remove

Gasketed Cover - helps prevent water from spilling over the edge of the box while underway

Several Mounting Options - easier to install, especially with the new rear mounting flange - install the flange and anchor any of three sides

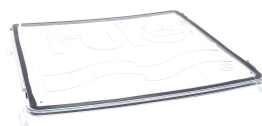
Cut Guides and Drill Points - we've added clear cut lines and drill point indents to the intake ports to make installation easier

Friction Fit Pump and Switch - no more screws to fiddle with, the pump is a friction fit and the float switch snaps into the base

Threaded Port Fittings - improves installation by offering several combinations of port fittings including 3/4", 1", 1 1/8", straight and 90° elbow fittings plus we now offer 3/4" and 1" straight and elbow Flow-Rite fittings

Easy Clean Strainer - new scoop strainer allows you to easily get your hand under the strainer to clean the debris from the box

Larger Joker Valve - allows full flow through the plumbing which means more flow at higher head heights



Rule brand builds on over 50 years of operational excellence and application expertise with a broad range of solutions for the marine industry.



ISO 8849 Marine (Electric bilge pumps)
ISO 8846 Marine (Ignition protection)

rule
a xylem brand

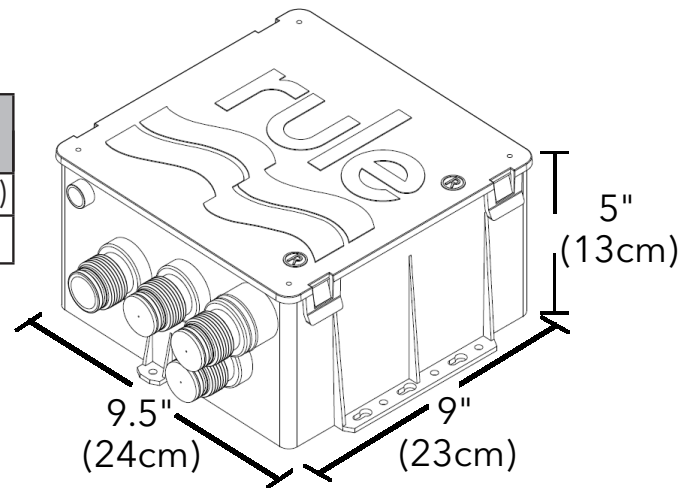
Rule...The world's most trusted pumps

Rule Next Generation Bilge Pumps

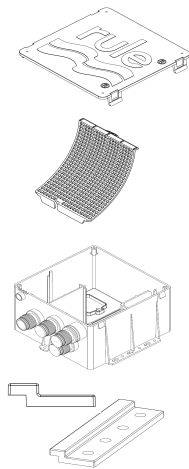
Nominal GPH/ LPH	Model No.	Volts	Amps @	Amps @	Ports	Check Valve	Discharge Hose Dia.	UPC
800 (3028)	98B	12 DC	2.9 (12V)	3.5 (13.6V)	YES	YES	3/4" (19mm)	042237-106551
800 (3028)	98B-24	24 DC	1.5 (24V)	1.8 (27.2V)	YES	YES	3/4" (19mm)	042237-106568
1100 (4164)	99B	12 DC	3.7 (12V)	4.5 (13.6V)	YES	YES	1-1/8" (29mm)	042237-106575
1100 (4164)	99B-24	24 DC	1.8 (24V)	2.2 (27.2V)	YES	YES	1-1/8" (29mm)	042237-106582

Flow - GPH (LPH)

GPH Series	@ 0ft 0m -0 kPa	@ 3.3 ft 1 m -10 kPa	@ 6.7 ft. 2m-20 kPa	Max Head Height
800	957 (3617)	677(2557)	439 (1658)	12' (3.7m)
1100	1145 (4329)	831 (3140)	504 (1903)	10' (3m)



Replacement Parts



Description	Replacement Part Number
Cover With Gasket	1242R
Gasket Only (not shown)	1243R
Strainer	1244R
Shower Drain Box Only*	1245R
Rear Mounting Bracket	1246R
800 GPH Replacement Pump - 12V	20DA
800 GPH Replacement Pump - 24V	20DA-24
1100 GPH Replacement Pump - 12V	27DA
1100 GPH Replacement Pump - 24V	27DA-24
Float Switch	35A or 37A



Warranty: All products of the company are sold and all services of the company are offered subject to the company's warranty and terms and conditions of sale, copies of which will be furnished upon request. The information provided herein is for guidance only, it does not constitute a guarantee of the performance or specific tion of any individual product or component.

marine.xylem.com

USA
Xylem Inc.
100 Cummings Center
Suite 535N Beverly MA, 01915
Tel: (978) 281-0440
Fax: (978) 283-2619

UK
Xylem Inc.
Bingley Road, Hoddesdon
Hertfordshire EN11 0BU
Tel: +44 (0) 1992 450145
Fax: +44 (0) 1992 467132

GERMANY
Xylem Inc.
Oststrasse 28
22844 Norderstedt
Tel: +49-40-53 53 73-0
Fax: +49-40-53 53 73-11

PHILIPPINES
Xylem Inc.
12 Ring Road, LISP II
Brgy. Lamesa, Calamba City 4027
Tel: 63 (49) 5434341
Fax: 63 (49) 5456817

CHINA
Xylem Inc.
30/F Tower A, 100 Zunyi Road
Shanghai, China 200051
Tel: +86-21-2208-2888
Fax: +86-21-2208-2999

ITALY
Xylem Inc.
Via Tommaseo, 6 20059
Vimercate, Milano
Tel: +39 039 685 2323
Fax: +39 039 666 307