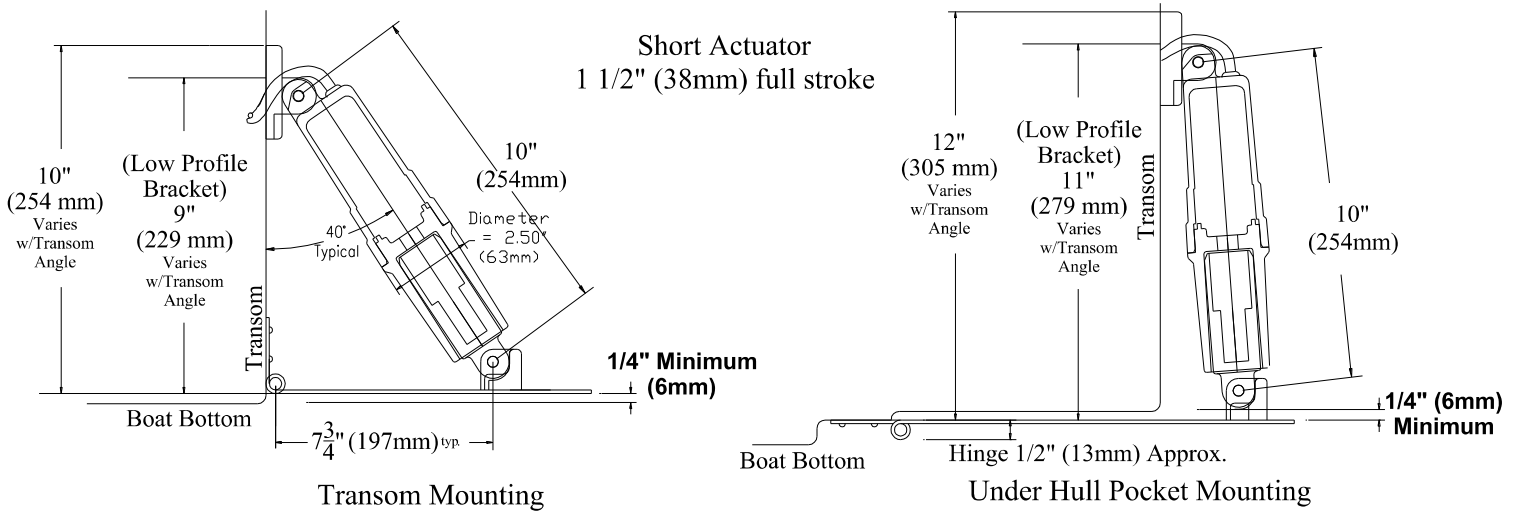


TRIM TAB SHORT ACTUATOR MOUNTING DIMENSTIONS



SHORT ACTUATOR SPECIFICATIONS

| Model | DC Voltage | Stroke Length | Stroke Time | Distance from Upper Mounting Bolt to Pin | Vertical Height (Typical Installation Fully Retracted) | Cable Length (Feet/Meter) | Upper Mounting Bracket | Lower Mounting Bracket | Use Actuator w/ Tabs |
|----------|------------|---------------|-------------|--|--|---------------------------|------------------------|------------------------|----------------------|
| S | 12VDC | 1.5"/38mm | 6 sec. | 10"/254mm | 10"/254mm | 6'/1.8m | None | None | All Tabs |
| S-BK | 12VDC | 1.5"/38mm | 6 sec. | 10"/254mm | 10"/254mm | 6'/1.8m | Standard | Standard | All Tabs |
| S-BK-13 | 12VDC | 1.5"/38mm | 6 sec. | 10"/254mm | 10"/254mm | 23'/7m | Standard | Standard | All Tabs |
| S-BK-24 | 12VDC | 1.5"/38mm | 6 sec. | 10"/254mm | 10"/254mm | 28'/8.5m | Standard | Standard | All Tabs |
| S-BK-25 | 12VDC | 1.5"/38mm | 6 sec. | 10"/254mm | 9"/229mm | 6'/1.8m | Low Profile | Standard | All Tabs |
| S-BK-16 | 12VDC | 1.5"/38mm | 6 sec. | 10"/254mm | 9"/229mm | 23'/7m | Low Profile | Standard | All Tabs |
| SB | 24VDC | 1.5"/38mm | 6 sec. | 10"/254mm | 10"/254mm | 6'/1.8m | None | None | All Tabs |
| SB-BK | 24VDC | 1.5"/38mm | 6 sec. | 10"/254mm | 10"/254mm | 6'/1.8m | Standard | Standard | All Tabs |
| SB-BK-13 | 24VDC | 1.5"/38mm | 6 sec. | 10"/254mm | 10"/254mm | 23'/7m | Standard | Standard | All Tabs |
| SB-BK-24 | 24VDC | 1.5"/38mm | 6 sec. | 10"/254mm | 10"/254mm | 28'/8.5m | Standard | Standard | All Tabs |
| SB-BK-25 | 24VDC | 1.5"/38mm | 6 sec. | 10"/254mm | 9"/229mm | 6'/1.8m | Low Profile | Standard | All Tabs |
| SB-BK-16 | 24VDC | 1.5"/38mm | 6 sec. | 10"/254mm | 9"/229mm | 23'/7m | Low Profile | Standard | All Tabs |