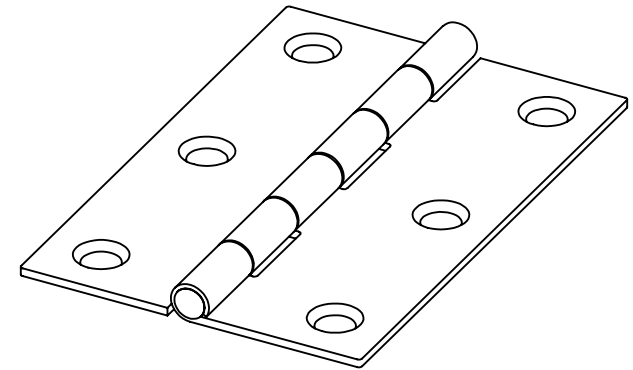
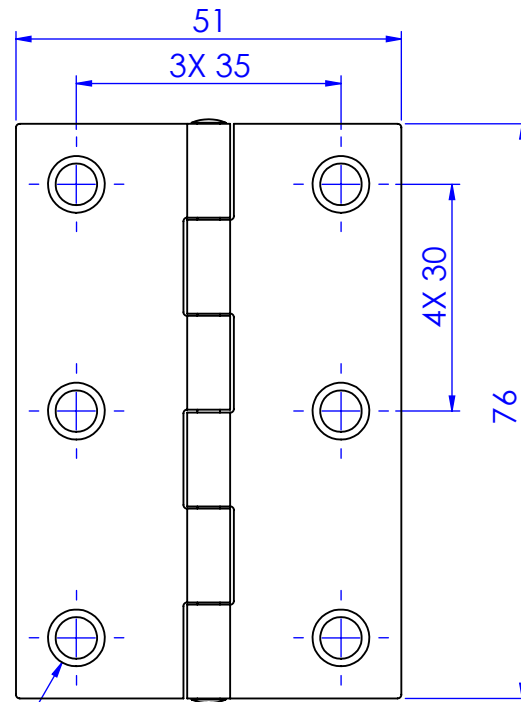
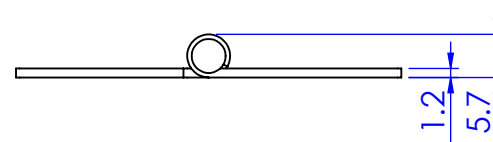


REVISIONS				
REV.	DESCRIPTION	BY	DATE	APPD
A	Initial release			



4X  $\phi$  5.5  
 4X  $\phi$  7.5 X CSK 82°  
 #6皿頭螺絲



安裝示意

DIMENSIONS ARE IN MM		NAME		DATE		<b>KHAN'S</b>	
TOLERANCES : $\pm$ 0.75		DRAWN		Mona			
ONE PLACE DECIMAL : $\pm$ 0.5		CHECKED				PART NO. 46784A	
SIZE	DO NOT SCALE DRAWING	A4 SCALE 1:1		MATERIAL :		REV.	
A4		列印日期: 2021/10/26		DWG NAME: 46784A (鉸鍊, 示意圖)			