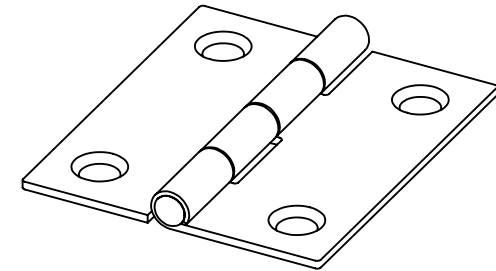
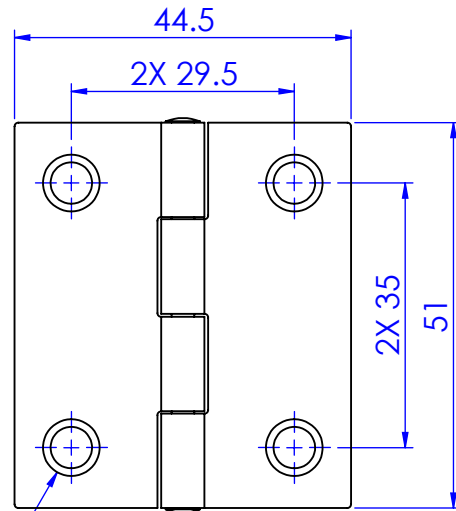
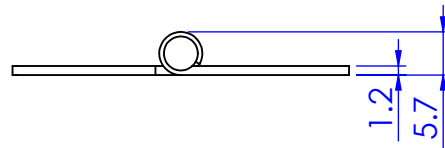


REVISIONS			
REV.	DESCRIPTION	BY	DATE
A	Initial release		



4X ϕ 5.5
 4X ϕ 7.5 X CSK 82°
 #6皿頭螺絲



安裝示意

DIMENSIONS ARE IN MM		NAME		DATE		KHAN'S	
TOLERANCES : \pm 0.75		DRAWN		Mona			
ONE PLACE DECIMAL : \pm 0.5		CHECKED				PART NO. 46782A	
SIZE	DO NOT SCALE DRAWING	A4 SCALE 1:1		MATERIAL :		REV.	
A4		列印日期: 2021/10/26 DWG NAME: 46782A (鉸鍊, 示意圖)					