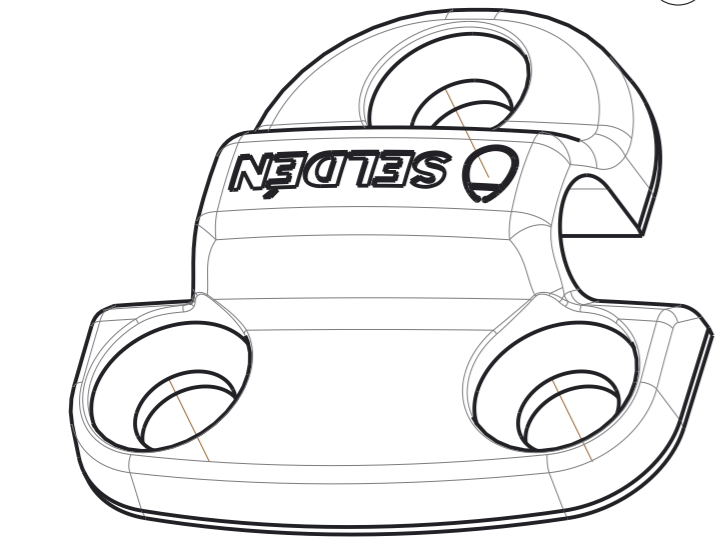
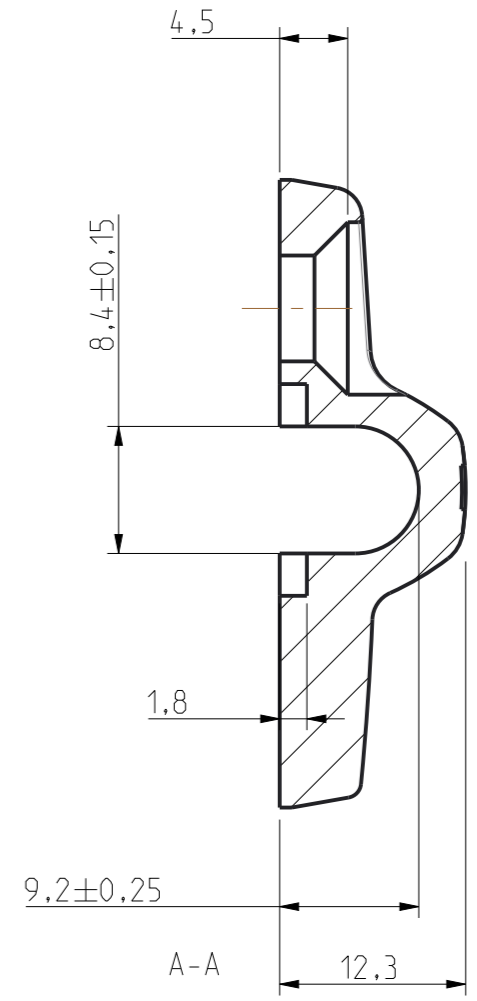
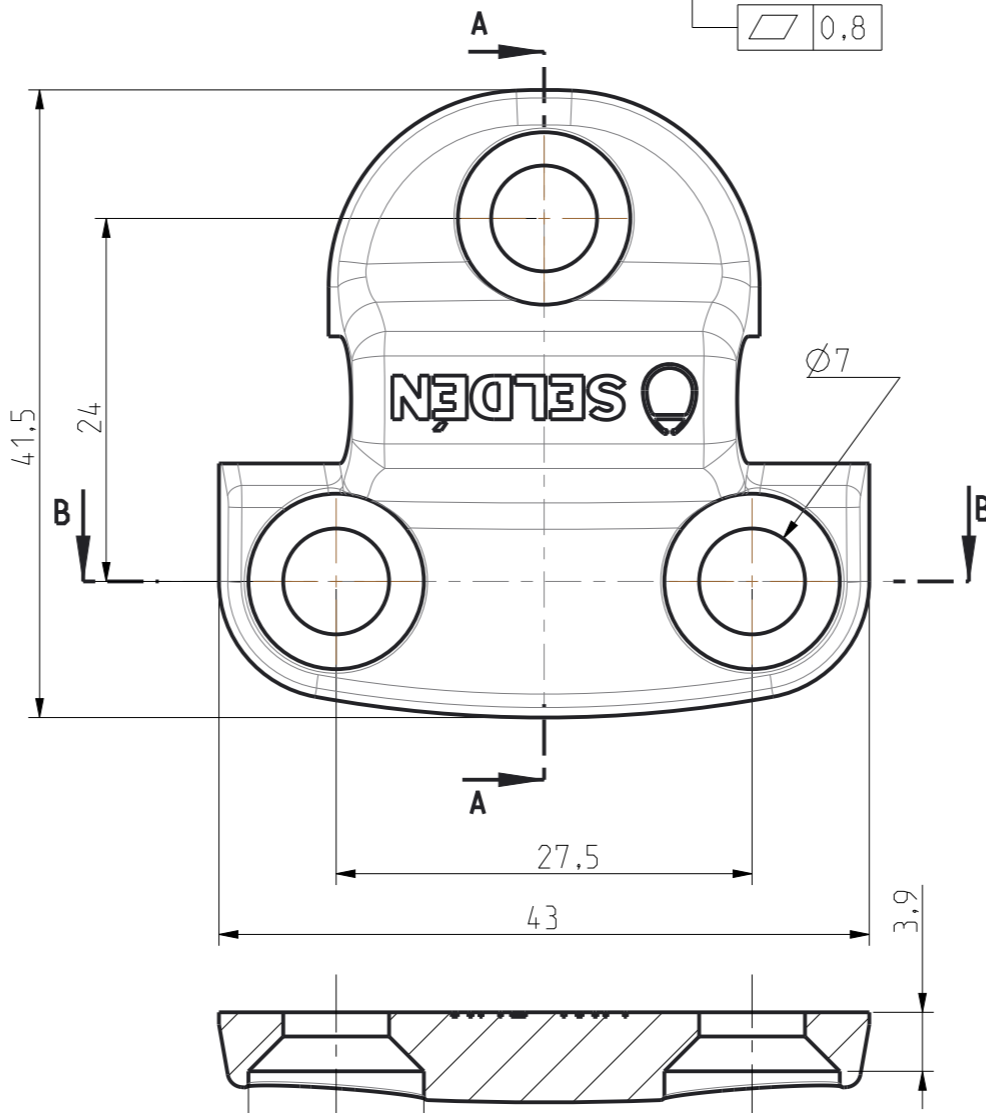
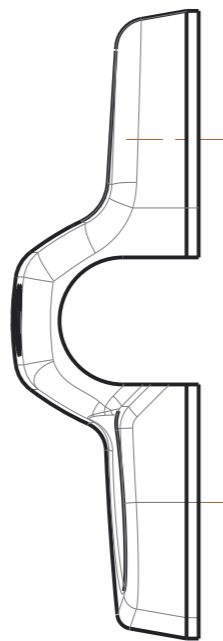
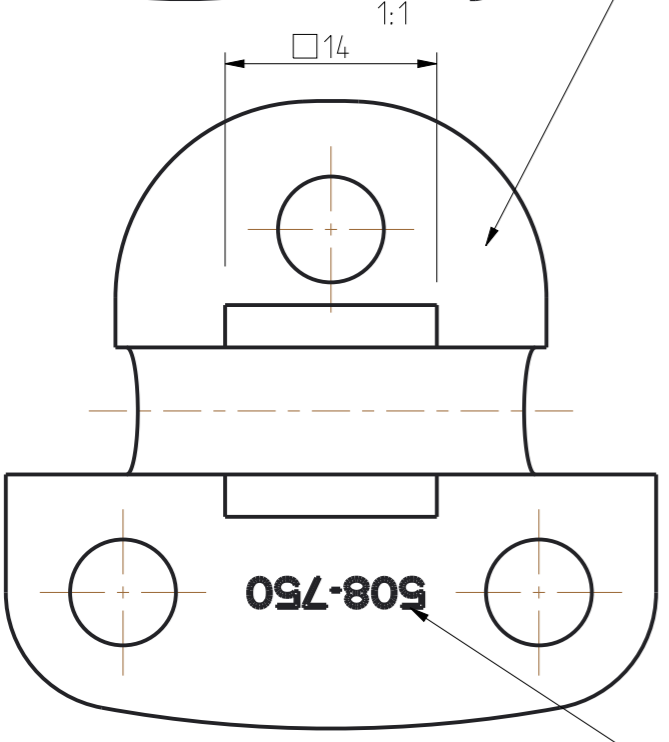
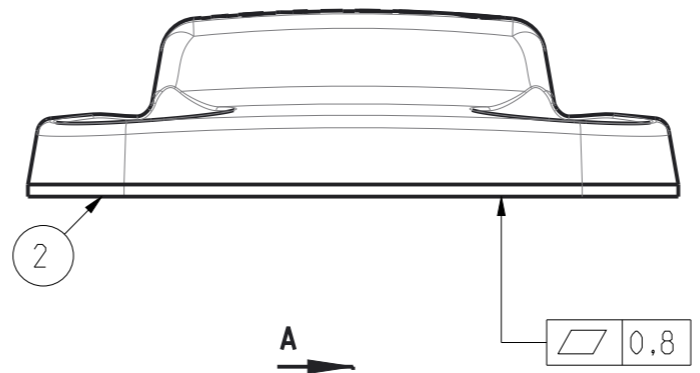


FEED ON BOTTOM SURFACE



3X Ø11.6±0.2

B-B

CASTING STANDARD: ASTM A744/A744M / SS-EN 10283  
 GENERAL SURFACE ROUGHNESS: ≤ Ra 6.3  
 ELECTROPOLISHED  
 PASSIVATED IF HANDPOLISHED

No	Qty	Revision	Date	Sign
6	3	MATERIAL WAS 2205, PRT.NO MOVED, TEXT DPL REMOVED, TABLE REPLACED	JUN 2015	PA
5	1	MATERIAL CHANGED	11-03-08	RE
4	1	LOGO TURNED	07-11-29	EW
3	1	HOLES INCREASED	06-06-07	EW
2	1	MTRL ADDED	05-10-07	EW
1	1	LOGO ADDED	05-08-23	EW

SELDÉN		PADEYE BASE 42X42X13 FOLDABLE PADEYE Ø6			
Material	(5) (6) CF-8M	Estimated mass properties:	Weight 45,1g	Volume 5,6cm <sup>3</sup>	Density 8,03g/cm <sup>3</sup>
Tolerance acc. to SS-ISO 2768-m unless otherwise stated		Replaced by	Replacing	Approved date 2015-06-16	File D410 /A3
Drawn EW	Date 05-04-20	Scale 2:1	Revision 6	Release Production	Approved EW
					Part No. 508-750

NOTE: 3-D geometry file (.igs, -step, .stl etc.) date to correspond with drawing date or latest revision date. E.g. 999-999-yy-mm-dd