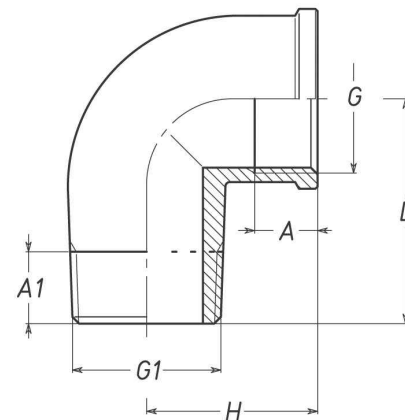



GOMITO A 90°M-F - OTTONE
FILETTATURE:

G = ISO 228/1 (BS 2779)

G1 = ISO 7/1 (BS 21) sino al / till : 2"
oltre/over : ISO 228/1 (BS 2779)



| | | | | | | | | | | | | |
|---------------|-------------|-------------|-------------|-------------|-------------|-----------|--------------|--------------|-----------|--------------|-----------|-----------|
| Weight (gr) | 25 | 45 | 55 | 90 | 140 | 260 | 325 | 425 | 625 | 1180 | 1500 | 2550 |
| L | 23 | 28 | 29 | 36 | 40 | 48 | 60 | 63 | 70 | 88 | 94 | 117 |
| H | 20 | 22 | 23 | 29 | 32 | 38 | 43 | 46 | 56 | 67 | 74 | 91 |
| A1 | 8 | 11 | 11 | 13 | 15 | 18 | 22 | 23 | 23 | 24 | 24 | 26 |
| A | 10 | 11 | 12 | 14 | 15 | 18 | 21 | 21 | 23 | 24 | 24 | 27 |
| G - G1 | 1/8" | 1/4" | 3/8" | 1/2" | 3/4" | 1" | 1"1/4 | 1"1/2 | 2" | 2"1/2 | 3" | 4" |