

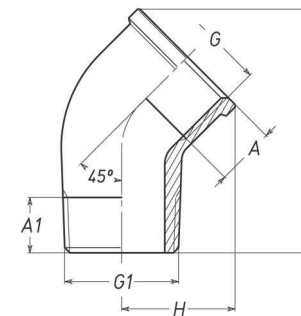
ELBOW 45° M-F - BRASS



THREAD:

G = ISO 228/1 (BS 2779)

G1 = ISO 7/1 (BS 21)



Weight (gr)	52	82	115	193	290	375	520
L	51	55	63	72	85	91	105
H	22	25	28	34	41	45	54
A1	11	13	15	17	19	20	23
A	12	15	16	18	21	21	24
G - G1	3/8"	1/2"	3/4"	1"	1"1/4	1"1/2	2"